



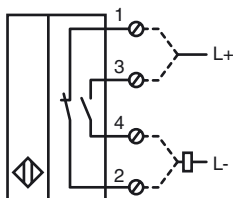
### Model Number

NCN50-FP-Z2-P1

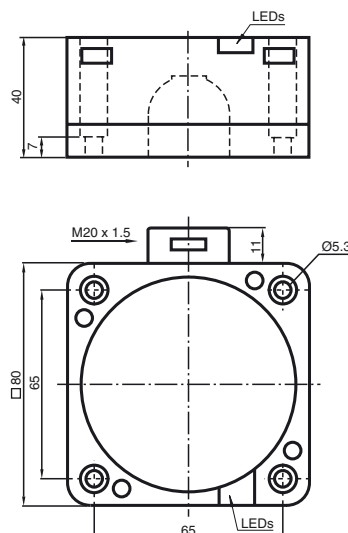
### Features

- Comfort series
- 50 mm not embeddable

### Connection



### Dimensions



### Technical Data

#### General specifications

|                            |                |               |
|----------------------------|----------------|---------------|
| Switching element function | DC             | NO/NC         |
| Rated operating distance   | $s_n$          | 50 mm         |
| Installation               | not embeddable |               |
| Output polarity            | DC             |               |
| Assured operating distance | $s_a$          | 0 ... 40.5 mm |
| Reduction factor $r_{AI}$  | 0.4            |               |
| Reduction factor $r_{Cu}$  | 0.35           |               |
| Reduction factor $r_{V2A}$ | 0.8            |               |

#### Nominal ratings

|                                   |             |                          |
|-----------------------------------|-------------|--------------------------|
| Operating voltage                 | $U_B$       | 10 ... 60 V              |
| Switching frequency               | $f$         | 0 ... 80 Hz              |
| Hysteresis                        | $H$         | 0 ... 20 typ. 5 %        |
| Reverse polarity protected        | tolerant    |                          |
| Short-circuit protection          | pulsing     |                          |
| Voltage drop                      | $U_d$       | $\leq 6$ V               |
| Operating current                 | $I_L$       | 2 ... 200 mA             |
| Off-state current                 | $I_r$       | 0.4 ... 1 mA typ. 0.6 mA |
| Indication of the switching state | LED, yellow |                          |

#### Ambient conditions

|                     |                                |
|---------------------|--------------------------------|
| Ambient temperature | -25 ... 70 °C (-13 ... 158 °F) |
| Storage temperature | -25 ... 85 °C (-13 ... 185 °F) |

#### Mechanical specifications

|                    |                           |
|--------------------|---------------------------|
| Connection type    | screw terminals           |
| Core cross-section | up to 2.5 mm <sup>2</sup> |
| Housing material   | PBT                       |
| Sensing face       | PBT                       |
| Protection degree  | IP67                      |

#### Compliance with standards and directives

|                     |   |
|---------------------|---|
| Standard conformity |   |
| Standards           | EN 60947-5-2:2007<br>IEC 60947-5-2:2007 |

#### Approvals and certificates

|              |   |
|--------------|---|
| UL approval  | cULus Listed, General Purpose                     |
| CSA approval | cCSAus Listed, General Purpose                    |
| CCC approval | Certified by China Compulsory Certification (CCC) |